

IPT 3180-C and IPT 3180-CF Protective Plug Covers



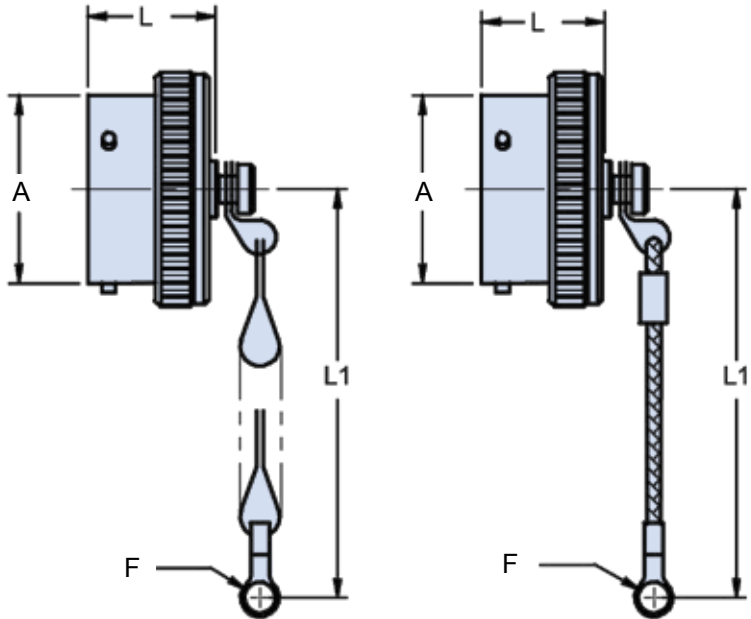
IPT 3180-10 C F2

MIL-C-26482
Accessory

Basic Part Number and Shell Size

Lanyard Style
C - Chain
CF - Nylon Cord

Finish Options
(See Table II)



Example: IPT3180-18C
(Stainless Steel Chain)

Example: IPT3180-18CF
(Nylon Cord)

APPLICATION NOTES

Metal cap and stainless steel chain for plugs.

TABLE II:

Shell Finish

Omit for Standard Cad/Olive Drab Finish

F2 - Bright Nickel Plating (RoHs)

F6 - Black Electrodeposited Paint (RoHs)

F7 - Black Zn-Co Plating (RoHs)

F8 - Olive Drab Zn-Co Plating

TABLE I: DIMENSIONS

Commital P/N	Shell size	A +0.02 -0.12	F +0.2 0	L +0.6 -0.4	L1 min.
IPT3180-8C	8	12:01	4.3	13.5	76.2
IPT3180-10C	10	14.98	4.3	13.5	76.2
IPT3180-12C	12	19:05	4.3	13.5	88.9
IPT3180-14C	14	22:22	4.3	13.5	88.9
IPT3180-16C	16	25.40	4.3	13.5	88.9
IPT3180-18C	18	28.57	4.3	13.5	88.9
IPT3180-20C	20	31.75	4.3	15.1	101.6
IPT3180-22C	22	34.92	4.3	15.1	101.6
IPT3180-24C	24	38.10	4.3	15.9	101.6